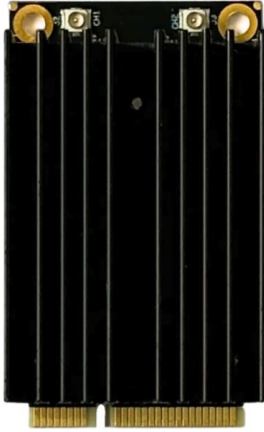


## WiFi 7 (802.11BE) 2x2 MU-MIMO 5+6GHz Dual Band Dual Concurrent Wireless Module

Model: **WLE7002E56**



### KEY FEATURES

- Qualcomm QCN6274 'Waikiki' series for Commercial grade
- Qualcomm QCN9274-I 'Waikiki' series for Industrial grade
- 5GHz, 2x2 MU-MIMO, up to 4324 Mbps physical data rate
- 6GHz, 2x2 MU-MIMO, up to 5765 Mbps physical data rate
- Dual-Band Concurrent 5+6GHz WiFi 7 (802.11be)
- MiniPCIe Interface with PCIe 3.0
- Based on WK01.7 reference design
- Supports up to 4096-QAM
- -20°C to 70°C operating temperature\*

*\*For industrial-grade environmental temperature requirements, please contact our sales representative for a customized heatsink solution.*

## Specifications

Chipset	Qualcomm QCN6274 'Waikiki' series for Commercial Grade Qualcomm QCN9274-I 'Waikiki' series for Industrial Grade
System Memory	2Mbit serial I <sup>2</sup> C bus EEPROM
Reference Design	WK01.7
Host Interface	MiniPCIe Interface with PCIe 3.0
Operating Voltage	3.3V
Power Consumption	8.7W (Max)
Wireless	2x2 5 GHz 802.11a/n/ac/ax/be, max 18 dBm per chain 2x2 6 GHz 802.11ax/be, max 18 dBm per chain 2 x U.FL Connectors
Frequency Range	5 GHz: 5.180~5.925GHz 6 GHz: 5.945~7.125GHz
Modulation Techniques	OFDMA: BPSK, QPSK, DBPSK, DQPSK, 16-QAM, 64-QAM, 256-QAM, 1024-QAM, 4096-QAM
Channel Spectrum Widths for WLAN	Supports 20/40/80/160/240 MHz at 5GHz Supports 20/40/80/160/320 MHz at 6GHz
Operating Systems	Linux
Certification	FCC, CE, IC Certified, REACH & RoHS Compliance
Environmental Temperature <sup>[1]</sup>	Operating temperature: -20°C to 70°C, Storage: -40°C to 90°C
Environmental Humidity, Non-Condensing	Operating: 5% to 95%, Storage: Max. 90%
Dimensions (W x H x D) in mm	30 X 50.8 X 25.4 mm

\*Configurations are subject to change without notifications.

\*\*Can be requested from respective sales executive.

[1] For industrial-grade environmental temperature requirements, please contact our sales representative for a customized heatsink solution.

## RF Performance Table at 5 GHz

	Data Rate	TX Power (per chain)	TX Power (2 chains)	Tolerance
5GHz 802.11be EHT20	MCS 0	18dBm	21dBm	±2dB
	MCS 1	18dBm	21dBm	±2dB
	MCS 2	17dBm	20dBm	±2dB
	MCS 3	17dBm	20dBm	±2dB
	MCS 4	16dBm	19dBm	±2dB
	MCS 5	16dBm	19dBm	±2dB
	MCS 6	15dBm	18dBm	±2dB
	MCS 7	15dBm	18dBm	±2dB
	MCS 8	14dBm	17dBm	±2dB
	MCS 9	13dBm	16dBm	±2dB
	MCS 10	12dBm	15dBm	±2dB
	MCS 11	12dBm	15dBm	±2dB
	MCS 12	11dBm	14dBm	±2dB
	MCS 13	11dBm	14dBm	±2dB
5GHz 802.11be EHT40	MCS 0	18dBm	21dBm	±2dB
	MCS 1	18dBm	21dBm	±2dB
	MCS 2	17dBm	20dBm	±2dB
	MCS 3	17dBm	20dBm	±2dB
	MCS 4	16dBm	19dBm	±2dB
	MCS 5	16dBm	19dBm	±2dB
	MCS 6	15dBm	18dBm	±2dB
	MCS 7	15dBm	18dBm	±2dB
	MCS 8	14dBm	17dBm	±2dB
	MCS 9	13dBm	16dBm	±2dB
	MCS 10	12dBm	15dBm	±2dB
	MCS 11	12dBm	15dBm	±2dB
	MCS 12	11dBm	14dBm	±2dB
	MCS 13	11dBm	14dBm	±2dB
5GHz 802.11be EHT80	MCS 0	18dBm	21dBm	±2dB
	MCS 1	18dBm	21dBm	±2dB
	MCS 2	17dBm	20dBm	±2dB
	MCS 3	17dBm	20dBm	±2dB
	MCS 4	16dBm	19dBm	±2dB
	MCS 5	16dBm	19dBm	±2dB
	MCS 6	15dBm	18dBm	±2dB
	MCS 7	15dBm	18dBm	±2dB
	MCS 8	14dBm	17dBm	±2dB
	MCS 9	13dBm	16dBm	±2dB
	MCS 10	12dBm	15dBm	±2dB
	MCS 11	12dBm	15dBm	±2dB
	MCS 12	11dBm	14dBm	±2dB
	MCS 13	11dBm	14dBm	±2dB

	Data Rate	RX Specifications Sensitivity	Tolerance
5GHz 802.11be EHT20	MCS 0	-92dBm	±2dB
	MCS 1	-89dBm	±2dB
	MCS 2	-86dBm	±2dB
	MCS 3	-83dBm	±2dB
	MCS 4	-80dBm	±2dB
	MCS 5	-75dBm	±2dB
	MCS 6	-74dBm	±2dB
	MCS 7	-73dBm	±2dB
	MCS 8	-69dBm	±2dB
	MCS 9	-67dBm	±2dB
	MCS 10	-64dBm	±2dB
	MCS 11	-62dBm	±2dB
	MCS 12	-57dBm	±2dB
	MCS 13	-56dBm	±2dB
5GHz 802.11be EHT40	MCS 0	-89dBm	±2dB
	MCS 1	-86dBm	±2dB
	MCS 2	-84dBm	±2dB
	MCS 3	-81dBm	±2dB
	MCS 4	-77dBm	±2dB
	MCS 5	-73dBm	±2dB
	MCS 6	-71dBm	±2dB
	MCS 7	-70dBm	±2dB
	MCS 8	-66dBm	±2dB
	MCS 9	-64dBm	±2dB
	MCS 10	-61dBm	±2dB
	MCS 11	-59dBm	±2dB
	MCS 12	-56dBm	±2dB
	MCS 13	-54dBm	±2dB
5GHz 802.11be EHT80	MCS 0	-86dBm	±2dB
	MCS 1	-82dBm	±2dB
	MCS 2	-80dBm	±2dB
	MCS 3	-77dBm	±2dB
	MCS 4	-74dBm	±2dB
	MCS 5	-70dBm	±2dB
	MCS 6	-68dBm	±2dB
	MCS 7	-67dBm	±2dB
	MCS 8	-64dBm	±2dB
	MCS 9	-62dBm	±2dB
	MCS 10	-59dBm	±2dB
	MCS 11	-58dBm	±2dB
	MCS 12	-55dBm	±2dB
	MCS 13	-53dBm	±2dB

## RF Performance Table at 5 GHz

	Data Rate	TX Power (per chain)	TX Power (2 chains)	Tolerance
5GHz 802.11be EHT160	MCS 0	18dBm	21dBm	±2dB
	MCS 1	18dBm	21dBm	±2dB
	MCS 2	17dBm	20dBm	±2dB
	MCS 3	17dBm	20dBm	±2dB
	MCS 4	16dBm	19dBm	±2dB
	MCS 5	16dBm	19dBm	±2dB
	MCS 6	15dBm	18dBm	±2dB
	MCS 7	15dBm	18dBm	±2dB
	MCS 8	14dBm	17dBm	±2dB
	MCS 9	13dBm	16dBm	±2dB
	MCS 10	12dBm	15dBm	±2dB
	MCS 11	12dBm	15dBm	±2dB
	MCS 12	11dBm	14dBm	±2dB
	MCS 13	11dBm	14dBm	±2dB

	Data Rate	RX Specifications Sensitivity	Tolerance
5GHz 802.11be EHT160	MCS 0	-84dBm	±2dB
	MCS 1	-80dBm	±2dB
	MCS 2	-78dBm	±2dB
	MCS 3	-75dBm	±2dB
	MCS 4	-72dBm	±2dB
	MCS 5	-67dBm	±2dB
	MCS 6	-66dBm	±2dB
	MCS 7	-65dBm	±2dB
	MCS 8	-61dBm	±2dB
	MCS 9	-60dBm	±2dB
	MCS 10	-56dBm	±2dB
	MCS 11	-53dBm	±2dB
	MCS 12	-52dBm	±2dB
	MCS 13	-51dBm	±2dB

## RF Performance Table at 6 GHz

	Data Rate	TX Power (per chain)	TX Power (2 chains)	Tolerance
6GHz 802.11be EHT20	MCS 0	18dBm	21dBm	±2dB
	MCS 1	18dBm	21dBm	±2dB
	MCS 2	17dBm	20dBm	±2dB
	MCS 3	17dBm	20dBm	±2dB
	MCS 4	16dBm	19dBm	±2dB
	MCS 5	16dBm	19dBm	±2dB
	MCS 6	15dBm	18dBm	±2dB
	MCS 7	14dBm	17dBm	±2dB
	MCS 8	13dBm	16dBm	±2dB
	MCS 9	12dBm	15dBm	±2dB
	MCS 10	11dBm	14dBm	±2dB
	MCS 11	11dBm	14dBm	±2dB
	MCS 12	10dBm	13dBm	±2dB
	MCS 13	10dBm	13dBm	±2dB
6GHz 802.11be EHT40	MCS 0	18dBm	21dBm	±2dB
	MCS 1	18dBm	21dBm	±2dB
	MCS 2	17dBm	20dBm	±2dB
	MCS 3	17dBm	20dBm	±2dB
	MCS 4	16dBm	19dBm	±2dB
	MCS 5	16dBm	19dBm	±2dB
	MCS 6	15dBm	18dBm	±2dB
	MCS 7	14dBm	17dBm	±2dB
	MCS 8	13dBm	16dBm	±2dB
	MCS 9	12dBm	15dBm	±2dB
	MCS 10	11dBm	14dBm	±2dB
	MCS 11	11dBm	14dBm	±2dB
	MCS 12	10dBm	13dBm	±2dB
	MCS 13	10dBm	13dBm	±2dB
6GHz 802.11be EHT80	MCS 0	18dBm	21dBm	±2dB
	MCS 1	18dBm	21dBm	±2dB
	MCS 2	17dBm	20dBm	±2dB
	MCS 3	17dBm	20dBm	±2dB
	MCS 4	16dBm	19dBm	±2dB
	MCS 5	16dBm	19dBm	±2dB
	MCS 6	15dBm	18dBm	±2dB
	MCS 7	14dBm	17dBm	±2dB
	MCS 8	13dBm	16dBm	±2dB
	MCS 9	12dBm	15dBm	±2dB
	MCS 10	11dBm	14dBm	±2dB
	MCS 11	11dBm	14dBm	±2dB
	MCS 12	10dBm	13dBm	±2dB
	MCS 13	10dBm	13dBm	±2dB

	Data Rate	RX Specifications Sensitivity	Tolerance
6GHz 802.11be EHT20	MCS 0	-90dBm	±2dB
	MCS 1	-88dBm	±2dB
	MCS 2	-85dBm	±2dB
	MCS 3	-83dBm	±2dB
	MCS 4	-79dBm	±2dB
	MCS 5	-75dBm	±2dB
	MCS 6	-74dBm	±2dB
	MCS 7	-72dBm	±2dB
	MCS 8	-69dBm	±2dB
	MCS 9	-67dBm	±2dB
	MCS 10	-63dBm	±2dB
	MCS 11	-62dBm	±2dB
	MCS 12	-58dBm	±2dB
	MCS 13	-56dBm	±2dB
6GHz 802.11be EHT40	MCS 0	-87dBm	±2dB
	MCS 1	-86dBm	±2dB
	MCS 2	-83dBm	±2dB
	MCS 3	-80dBm	±2dB
	MCS 4	-77dBm	±2dB
	MCS 5	-72dBm	±2dB
	MCS 6	-71dBm	±2dB
	MCS 7	-70dBm	±2dB
	MCS 8	-66dBm	±2dB
	MCS 9	-64dBm	±2dB
	MCS 10	-61dBm	±2dB
	MCS 11	-59dBm	±2dB
	MCS 12	-55dBm	±2dB
	MCS 13	-54dBm	±2dB
6GHz 802.11be EHT80	MCS 0	-85dBm	±2dB
	MCS 1	-83dBm	±2dB
	MCS 2	-81dBm	±2dB
	MCS 3	-78dBm	±2dB
	MCS 4	-75dBm	±2dB
	MCS 5	-70dBm	±2dB
	MCS 6	-69dBm	±2dB
	MCS 7	-67dBm	±2dB
	MCS 8	-64dBm	±2dB
	MCS 9	-62dBm	±2dB
	MCS 10	-58dBm	±2dB
	MCS 11	-56dBm	±2dB
	MCS 12	-54dBm	±2dB
	MCS 13	-52dBm	±2dB

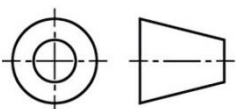
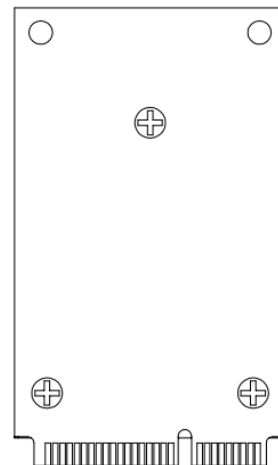
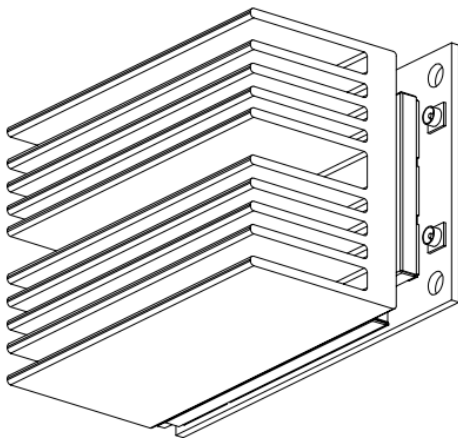
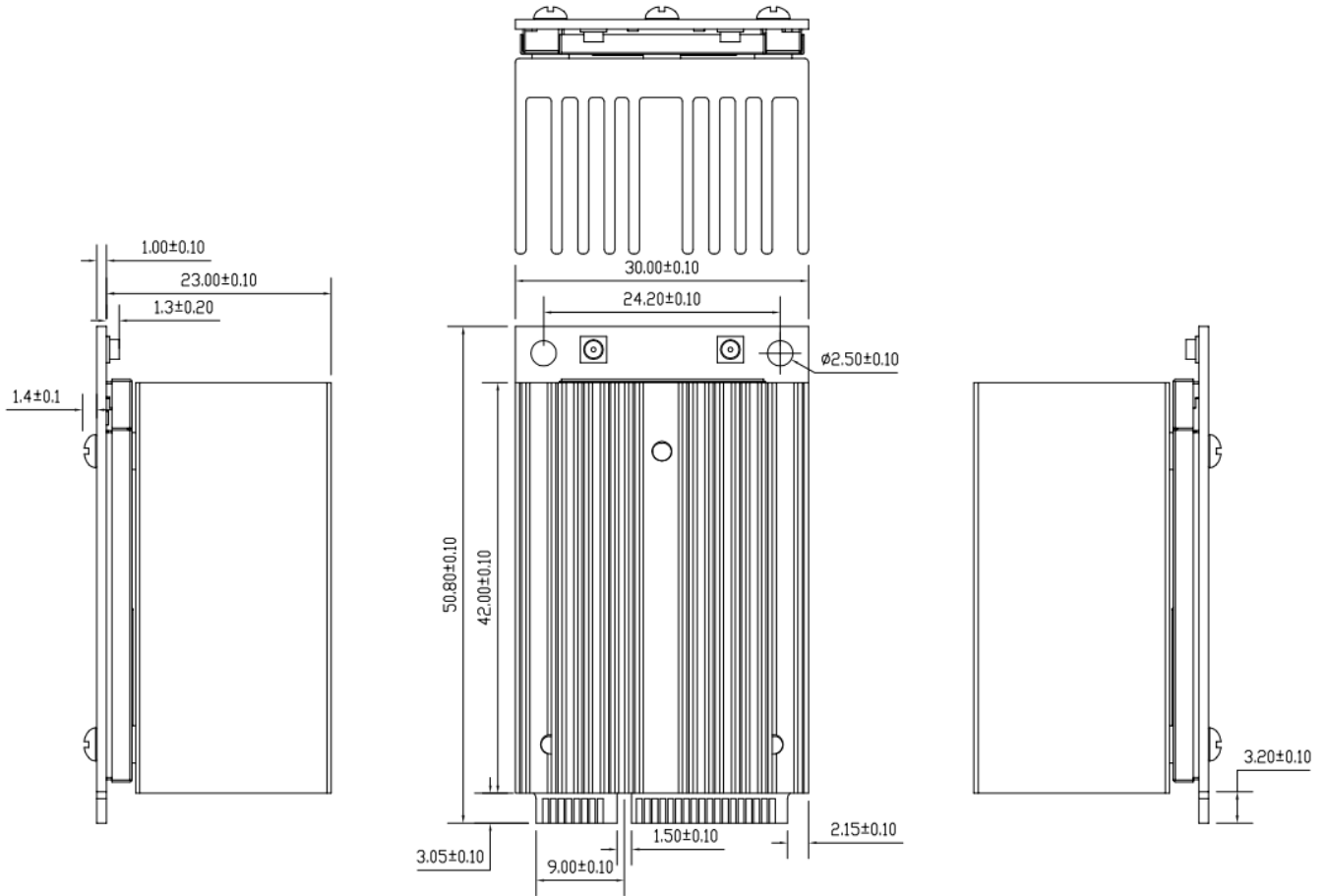
## RF Performance Table at 6 GHz

	Data Rate	TX Power (per chain)	TX Power (2 chains)	Tolerance		Data Rate	RX Specifications Sensitivity	Tolerance
6GHz 802.11be EHT160	MCS 0	18dBm	21dBm	±2dB	6GHz 802.11be EHT160	MCS 0	-82dBm	±2dB
	MCS 1	18dBm	21dBm	±2dB		MCS 1	-80dBm	±2dB
	MCS 2	17dBm	20dBm	±2dB		MCS 2	-78dBm	±2dB
	MCS 3	17dBm	20dBm	±2dB		MCS 3	-75dBm	±2dB
	MCS 4	16dBm	19dBm	±2dB		MCS 4	-72dBm	±2dB
	MCS 5	15dBm	18dBm	±2dB		MCS 5	-67dBm	±2dB
	MCS 6	14dBm	17dBm	±2dB		MCS 6	-66dBm	±2dB
	MCS 7	13dBm	16dBm	±2dB		MCS 7	-65dBm	±2dB
	MCS 8	12dBm	15dBm	±2dB		MCS 8	-62dBm	±2dB
	MCS 9	11dBm	14dBm	±2dB		MCS 9	-59dBm	±2dB
	MCS 10	10dBm	13dBm	±2dB		MCS 10	-55dBm	±2dB
	MCS 11	10dBm	13dBm	±2dB		MCS 11	-53dBm	±2dB
	MCS 12	9dBm	12dBm	±2dB		MCS 12	-51dBm	±2dB
	MCS 13	9dBm	12dBm	±2dB		MCS 13	-50dBm	±2dB
6GHz 802.11be EHT320	MCS 0	18dBm	21dBm	±2dB	6GHz 802.11be EHT320	MCS 0	-81dBm	±2dB
	MCS 1	17dBm	20dBm	±2dB		MCS 1	-78dBm	±2dB
	MCS 2	16dBm	19dBm	±2dB		MCS 2	-76dBm	±2dB
	MCS 3	15dBm	18dBm	±2dB		MCS 3	-72dBm	±2dB
	MCS 4	14dBm	17dBm	±2dB		MCS 4	-69dBm	±2dB
	MCS 5	13dBm	16dBm	±2dB		MCS 5	-65dBm	±2dB
	MCS 6	12dBm	15dBm	±2dB		MCS 6	-64dBm	±2dB
	MCS 7	11dBm	14dBm	±2dB		MCS 7	-63dBm	±2dB
	MCS 8	10dBm	13dBm	±2dB		MCS 8	-60dBm	±2dB
	MCS 9	10dBm	13dBm	±2dB		MCS 9	-55dBm	±2dB
	MCS 10	9dBm	12dBm	±2dB		MCS 10	-52dBm	±2dB
	MCS 11	9dBm	12dBm	±2dB		MCS 11	-50dBm	±2dB
	MCS 12	8dBm	11dBm	±2dB		MCS 12	-49dBm	±2dB
	MCS 13	8dBm	11dBm	±2dB		MCS 13	-48dBm	±2dB

## Component Map



## Mechanical Dimensions



All dimensions are in mm.

Copyright © yuneng Micro. All rights reserved. While every effort is made to ensure the information is accurate, yuneng Micro does not accept liability for any errors or mistakes that may arise. All specifications are subject to change without notice.

## Ordering Configuration

Item Code	Model	Description
WLE7002E56 7A000SXND	WLE7002E56	QCN6274 2x2 802.11a/n/ac/ax/be support 5+6GHz Dual-band Concurrent MiniPCIe interface with PCIe 3.0 Module
WLE7002E56 7B000NXND-I	WLE7002E56-I	QCN9274-I 2x2 802.11a/n/ac/ax/be support 5+6GHz Dual-band Concurrent MiniPCIe interface with PCIe 3.0 Module

## Chipsets Comparisons

		QCN6224	QCN6274	QCN9274
Band Operation	4 Single Band	✓	✓	✓
	2+2 Dual Band	✓	✓	✓
	2.4GHz	✓	✓	✓
	4.9GHz	-	-	✓
	5GHz	✓	✓	✓
	6GHz	-	✓	✓
	Channel Support	Up to 160MHz at 5GHz	Up to 320MHz at 6GHz	Up to 320MHz at 6GHz
Performance	4K QAM	✓	✓	✓
	#clients	128	256	512
	#OFDMA users	8	16	37
	DL OFDMA + TxBF	-	✓	✓
	DL/UL MU-MIMO	✓	✓	✓
Advanced 11be Features	WFA certified MLO	✓	✓	✓
	Puncture	Static	Static	Static & Dynamic
Others	DPD	✓	✓	✓
	FIPS	-	-	✓
Software Packages	Provisioned Multi Link	✓	✓	✓
	Dense Deployment	✓	✓	✓
	Location & RF Sensing	✓	✓	✓